

## DS-K1T343EX Face Recognition Terminal



Face recognition terminal adopts deep learning algorithm, which helps to recognize the face faster with higher accuracy. It also supports multiple authentication modes: face/card authentication, etc. It can be applied in multiple scenarios, such as buildings, enterprises, financial industries, and other important areas.

- Max.1500 faces capacity, and Max.3000 cards
- Face Recognition Terminal, 4.3-inch LCD touch screen, 2 Mega pixel wide-angle lens, Built-in EM card reading module
- Two-way audio with client software, indoor station, and main station; Supports TCP/IP
- Supports ISAPI, ISUP5.0
- Configuration via the web client
- Face recognition. Distance: 0.3 m to 1.5 m
- Duration < 0.2 s/User
- Accuracy rate  $\geq$  99%

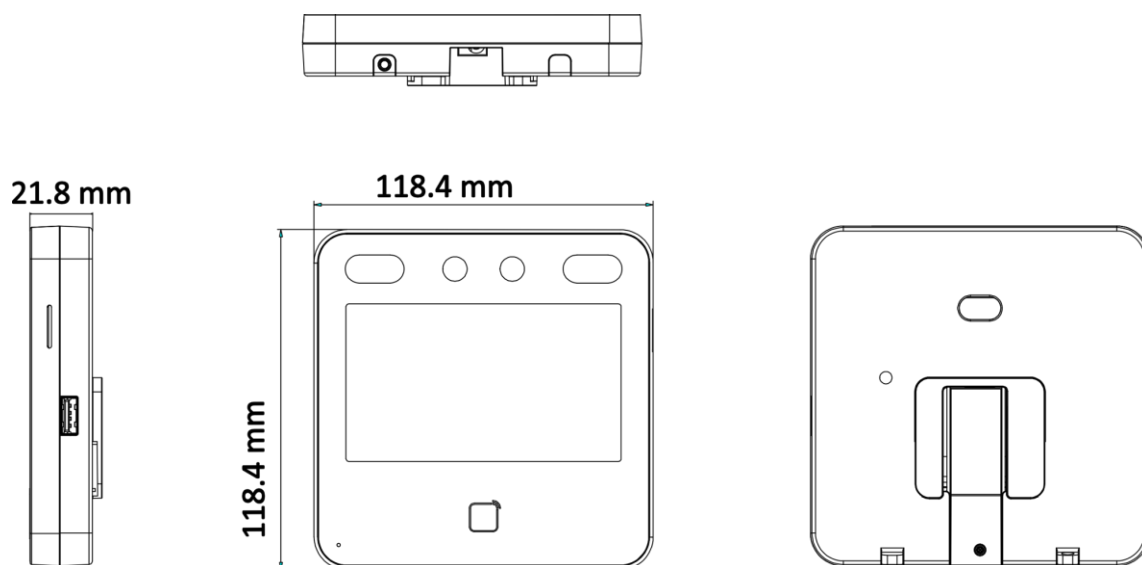
## ▪ Specification

| <b>Display</b>          |  |
|-------------------------|--|
| Screen size             | 4.3 inch   |
| Operation method        | Capacitive touch screen  |
| Type                    | LCD  |
| <b>Video</b>            |  |
| Lens                    | 2  |
| Resolution              | 2 MP   |
| <b>Audio</b>            |  |
| Audio quality           | Noise suppression and echo cancellation  |
| <b>Network</b>          |  |
| Wired network           | Support  |
| <b>Interface</b>        |  |
| Network interface       | 1 RJ-45, 10/100 M self-adaptive  |
| Lock control            | 1  |
| Exit button             | 1  |
| Door contact input      | 1  |
| TAMPER                  | 1  |
| RS-485                  | 1 RS-485 (Half duplex, HIKVISION)  |
| Wiegand                 | 1 Wiegand(Hik 26bit,Hik 34bit)   |
| USB                     | 1  |
| <b>Authentication</b>   |  |
| Card type               | EM card  |
| Card reading frequency  | 125 KHz  |
| <b>General</b>          |  |
| Power supply            | 12 VDC, 1 A (power adapter included)   |
| Working temperature     | -10 °C to 40 °C (14 °F to 104 °F)  |
| Working humidity        | 0 to 90% (No condensing)   |
| Dimensions              | 118.4 mm × 118.4 mm × 21.8 mm (4.66" × 4.66" × 0.86")  |
| Installation            | Wall mounting, base mounting   |
| Weight                  | Gross weight: 0.71 kg (1.57 lb)<br>Net weight: 0.23 kg (0.51 lb)   |
| Application environment |  |
| Language                | English, Spanish (South America), Arabic, Thai, Indonesian, Russian, Vietnamese, Portuguese (Brazil), Korean; Japanese |
| Platform                | Hik-ProConnect and HikCentral Professional   |
| <b>Function</b>         |  |
| Face anti-spoofing      | Support  |
| Audio prompt            |  |
| Time synchronization    |  |

## ▪ Available Model

DS-K1T343EX

▪ **Dimension**



▪ **Accessory**

▪ **Optional**

**DS-KAB6-W1  
Bracket**



**Headquarters**

No.555 Qianmo Road, Binjiang District,  
Hangzhou 310051, China  
T +86-571-8807-5998  
www.hikvision.com



Follow us on social media to get the latest product and solution information.

