



# HIKVISION

## DS-2CE16D0T-IRPF HD 1080p IR Bullet Camera



### Key Features

- 2 mega pixel high performance CMOS
- Analog HD output, up to 1080p resolution
- Day/Night switch
- Smart IR
- Up to 20 m IR distance
- Switchable TVI/AHD/CVI/CVBS
- IP66



[www.hikvision.com](http://www.hikvision.com)

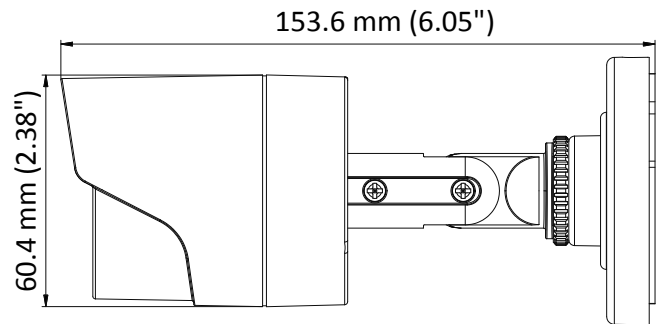
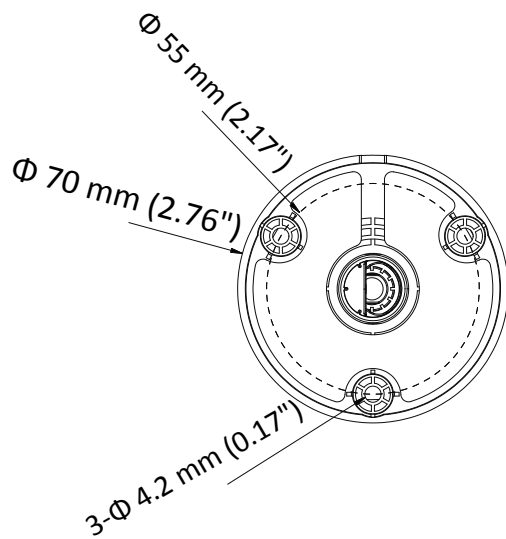
## Specifications

<b>Camera</b>	
Image Sensor	2MP CMOS Image Sensor
Signal System	PAL/NTSC
Frame Rate	PAL: 1080p@25fps NTSC: 1080p@30fps
Resolution	1920 (H) × 1080 (V)
Min. illumination	0.01 Lux@(F1.2,AGC ON),0 Lux with IR
Shutter Time	1/25 (1/30) s to 1/50,000 s
Lens	2.8 mm, 3.6 mm, 6 mm fixed lens
Horizontal Field of View	103° (2.8 mm), 82.2° (3.6 mm), 54° (6 mm)
Lens Mount	M12
Day & Night	IR cut filter
Angle Adjustment	Pan: 0° to 360°, Tilt: 0° to 180°, Rotation: 0° to 360°
Synchronization	Internal synchronization
<b>Menu</b>	
AGC	Low/middle/high
Day/Night Mode	Smart/color/BW(Black and White)
Backlight Compensation	Yes
DWDR	Yes
Language	English
Functions	Brightness, Sharpness, DNR, Mirror
<b>Interface</b>	
Video Output	1 HD analog output
Switch Button	TVI/AHD/CVI/CVBS
<b>General</b>	
Operating Conditions	-40 °C to 60 °C (-40 °F to 140 °F), Humidity 90% or less (non-condensation)
Power Supply	12 VDC ± 15%
Power Consumption	Max. 4 W
Ingress Protection	IP66
Material	Plastic
IR Range	Up to 20 m
Dimensions	Φ 70 mm × 154.5 mm ( 2.76" × 6.08")
Weight	Approx. 400 g (0.88 lb.)

## Order Model

DS-2CE16D0T-IRPF

## Dimensions



## Accessories



**DS-1280ZJ-XS**  
Junction Box



**DS-1H18**  
Video Balun



**X41T**  
Camera Tester

Distributed by



### Headquarters

No.555 Qianmo Road, Binjiang District,  
Hangzhou 310051, China  
T +86-571-8807-5998  
overseasbusiness@hikvision.com

**Hikvision Poland**  
T +48-22-460-01-50  
poland@hikvision.com

**Hikvision USA**  
T +1-909-895-0400  
sales.usa@hikvision.com

**Hikvision India**  
T +91-22-28469900  
sales@pramahikvision.com

**Hikvision UK**  
T +44-1628-9021-4  
support.uk@hikvision.com

**Hikvision Europe**  
T +31-23-5542770  
saleseuro@hikvision.com

**Hikvision Italy**  
T +39-0438-6902  
info.it@hikvision.com

**Hikvision Singapore**  
T +65-6684-4718  
sg@hikvision.com

**Hikvision Middle East**  
T +971-4-8816086  
salesme@hikvision.com

**Hikvision France**  
T +33(0)1-85-330-444  
info.fr@hikvision.com

**Hikvision Oceania**  
T +61-2-8599-4233  
salesau@hikvision.com

**Hikvision Russia**  
T +7-495-669-67-99  
saleru@hikvision.com

**Hikvision Spain**  
T +34-91-737-16-55  
info.es@hikvision.com

**Hikvision Hong Kong**  
T +852-2151-1761